



TRINITY GLASS INTERNATIONAL

33615 1st Way S, Federal Way, WA 98003

GLAZED FIBERGLASS DOOR WITH SIDELITE or SIDELITES "NON-IMPACT" INSWING / OUTSWING

GENERAL NOTES

- This product has been evaluated and is in compliance with the 5th Edition (2014) Florida Building Code (FBC) structural requirements excluding the "High Velocity Hurricane Zone" (HVHZ).
- Product anchors shall be as listed and spaced as shown on details. Anchor embedment to base material shall be beyond wall dressing or stucco.
- When used in areas requiring wind borne debris protection this product is required to be protected with an impact resistant covering that complies with Section 1609.1.2 of the FBC.
- For 2x stud framing construction, anchoring of these units shall be the same as that shown for 2x buck masonry construction.
- Site conditions that deviate from the details of this drawing require further engineering analysis by a licensed engineer or registered architect.

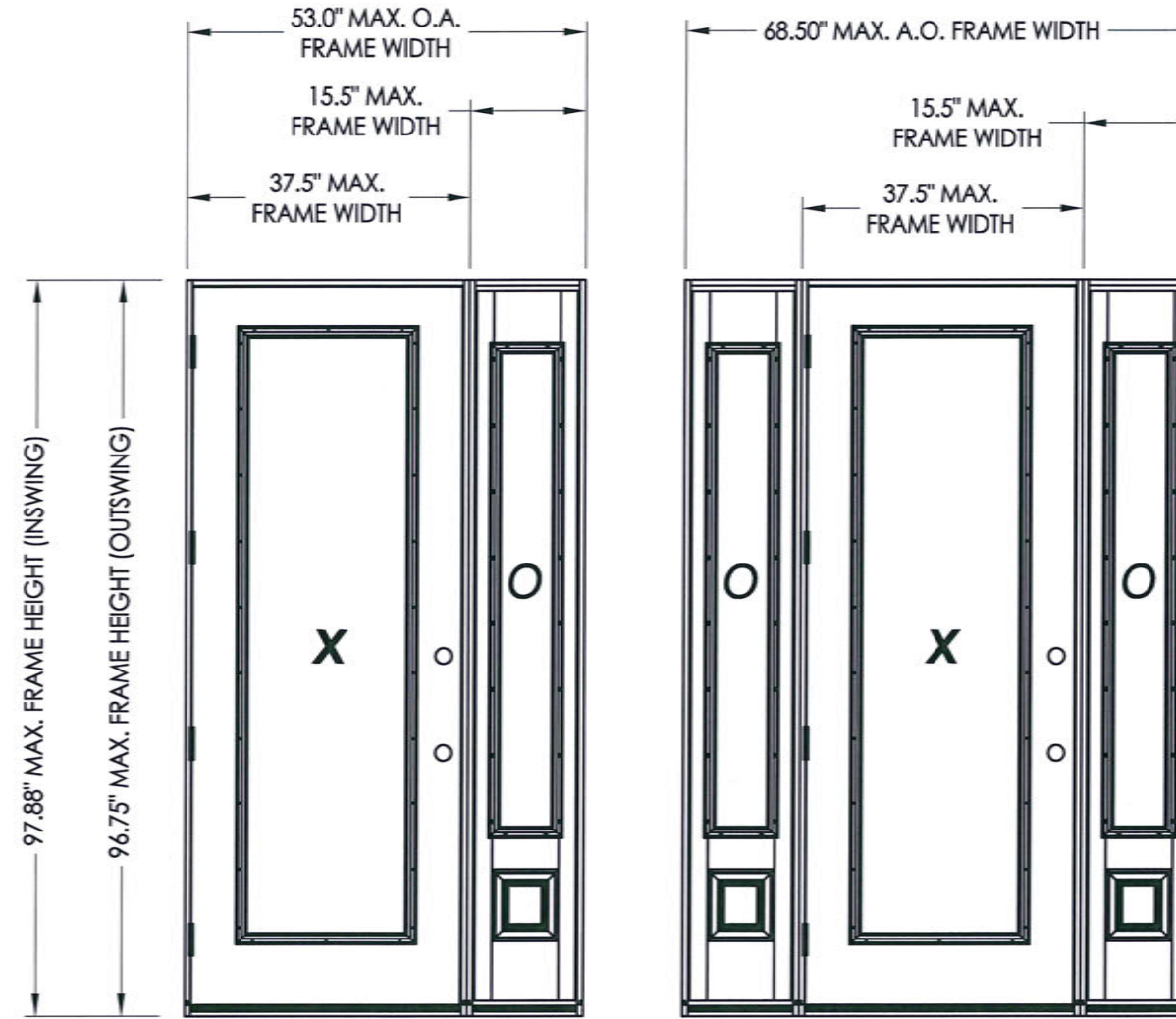
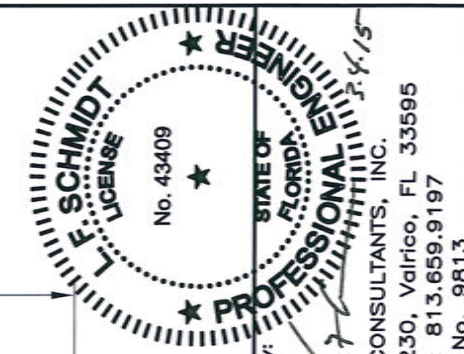


TABLE OF CONTENTS	
SHEET#	DESCRIPTION
1	Typical elevations, design pressures & general notes
2	Door panel details
3	Sidelite panel details
4	Elevations
5	Horizontal cross section
6	Vertical cross sections
7	Vertical cross sections
8	Buck anchoring
9	Frame anchoring
10	Components
11	Bill of materials

CONFIGURATION	MAX. FRAME DIMENSION	OVERALL D.L.O. DIMENSION	GLASS TYPE	DESIGN PRESSURE (PSF)	
				POSITIVE	NEGATIVE
OX / XO	53.0" x 97.88"	21.0" x 78.87"	G1	+ 47.0	- 47.0
OXO	68.5" x 97.88"	21.0" x 78.87"	G1	+ 47.0	- 47.0



Documents Prepared By:
Lyndon F. Schmidt
P.E. No. 43409

R.W.
BUILDING CONSULTANTS, INC.
P.O. Box 230, Valrico, FL 33595
Phone No.: 813.659.9197
FBPE C.A. No. 9813

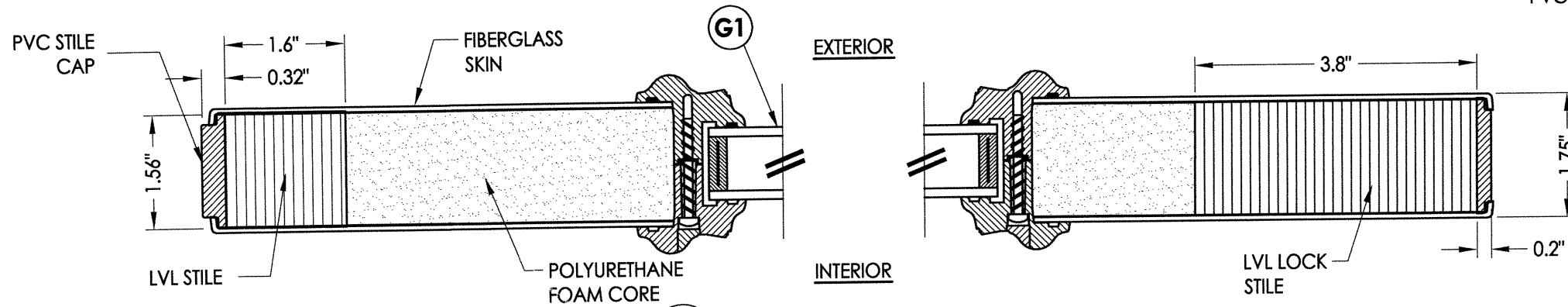
PRODUCT: TRINITY GLASS INT'L

PART OR ASSEMBLY: TYPICAL ELEVATION, DESIGN PRESSURES & GENERAL NOTES

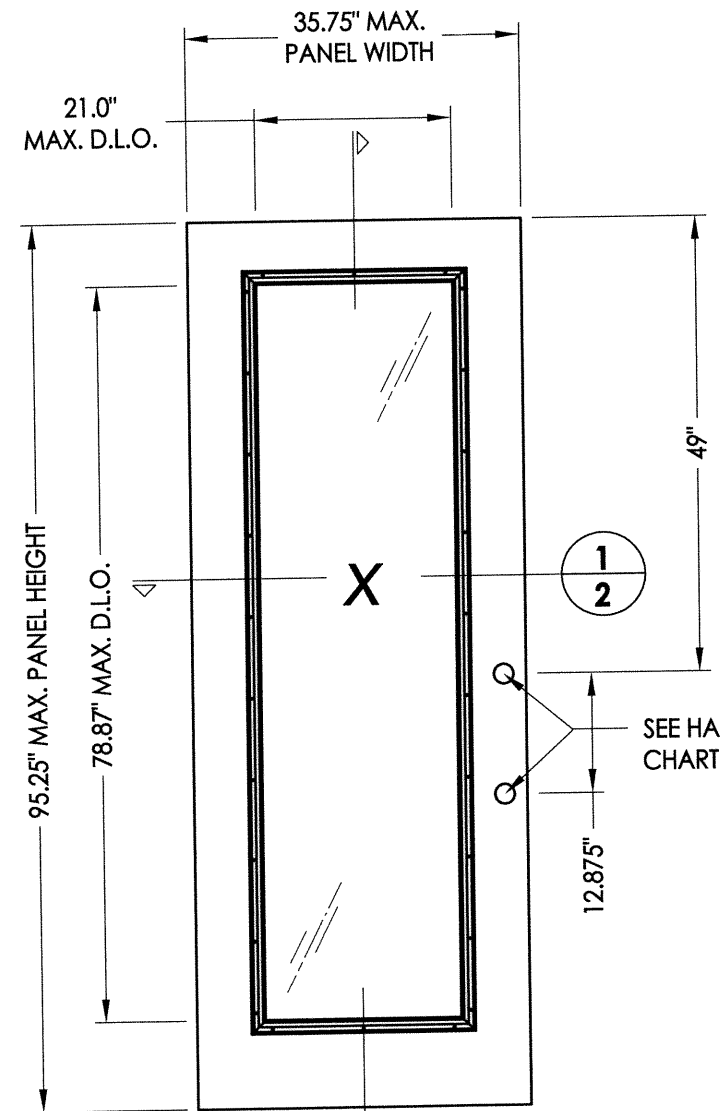
REVISIONS	
NO.	DATE
1	03/02/15
	UPDATE TO 5TH ED. (2014) FBC

DATE: 1/18/12
SCALE: N.T.S.
DWG. BY: JK
CHK. BY: LFS
DRAWING NO.: FL-15129.19
SHEET 1 OF 11

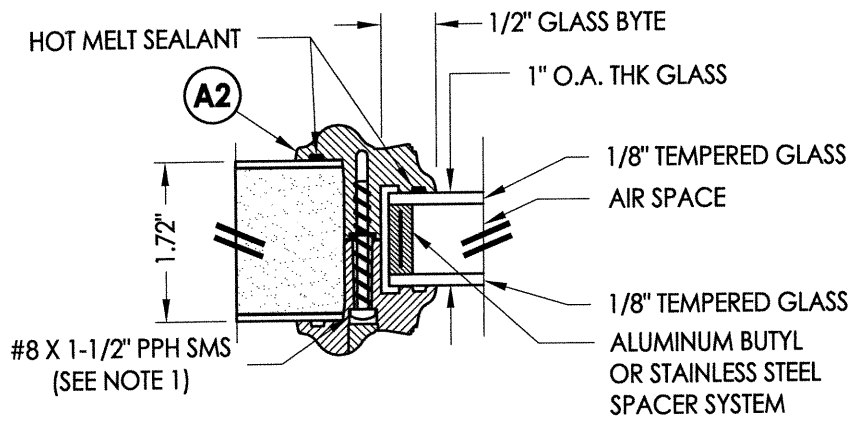
R:\Clients\Trinity PERMANENT\Florida Product Approvals\FL-15129\Drawings\Current\FL-15129.13-20.dwg, 2.19



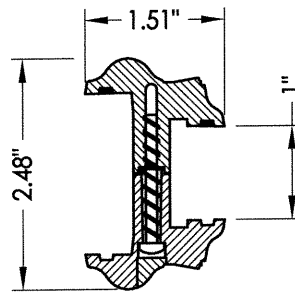
1
2 **HORIZONTAL CROSS SECTION**



40 **LIPLITE FIBERGLASS DOOR**



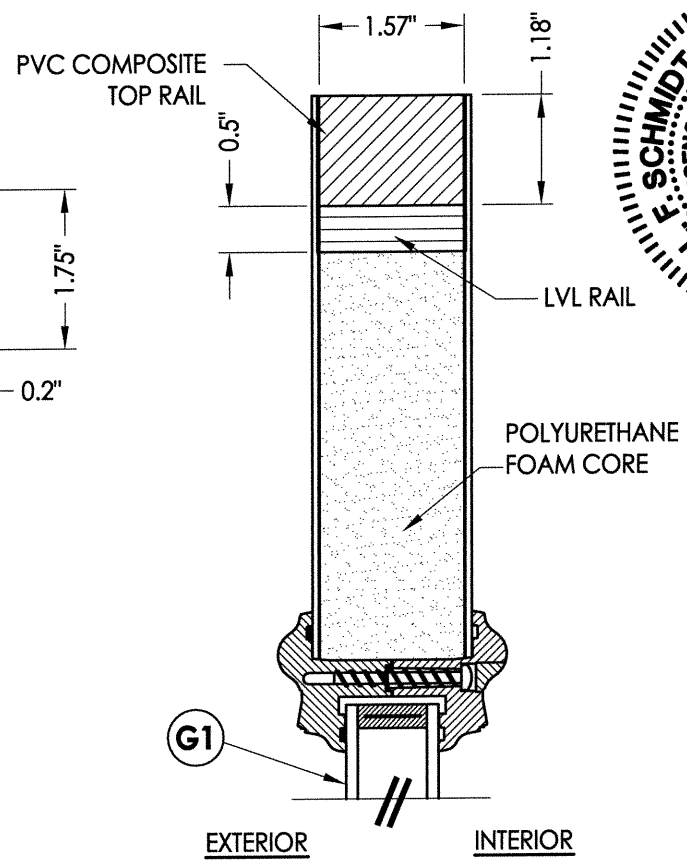
G1 **GLAZING DETAIL**
Lip Lite Frame



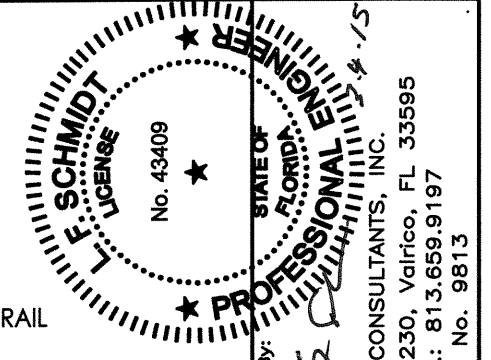
A2 **LIP LITE FRAME**
ABS or PC/ASA

HARDWARE CHART	
MANUFACTURER	MODEL
KWIKSET	KNOB: SIGNATURE SERIES DEADBOLT: SIGNATURE SERIES (980)

NOTE:
1. Spacing for lite frame screw is as follows:
Top and Bottom: 2" from each corner & at centerline (3 total)
Sides: 2" from each corner and equally spaced thereafter (10 total)



2
2 **VERTICAL CROSS SECTION**



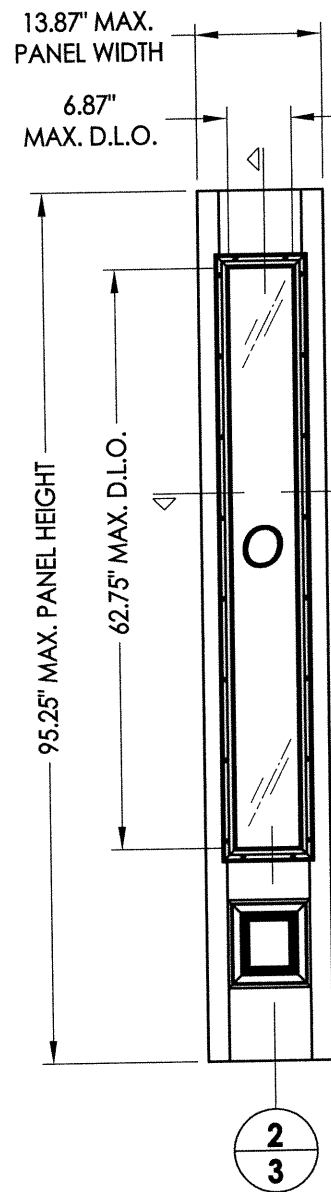
Documents Prepared By:
Lyndon F. Schmidt
P.E. No. 43409
STATE OF FLORIDA
PROFESSIONAL ENGINEER
No. 43409
RW
BUILDING CONSULTANTS, INC.
P.O. Box 230, Vairico, FL 33595
Phone No.: 813.659.9197
FBPE C.A. No. 9813

PRODUCT: TRINITY GLASS INT'L
PART OR ASSEMBLY: DOOR PANEL DETAILS

REVISIONS	
NO.	DATE
1	03/02/15
UPDATE TO 5TH ED. (2014) FBC	
JK	BY

DATE: 1/18/12
SCALE: N.T.S.
DWG. BY: JK
CHK. BY: LFS
DRAWING NO.: FL-15129.19
SHEET 2 OF 11

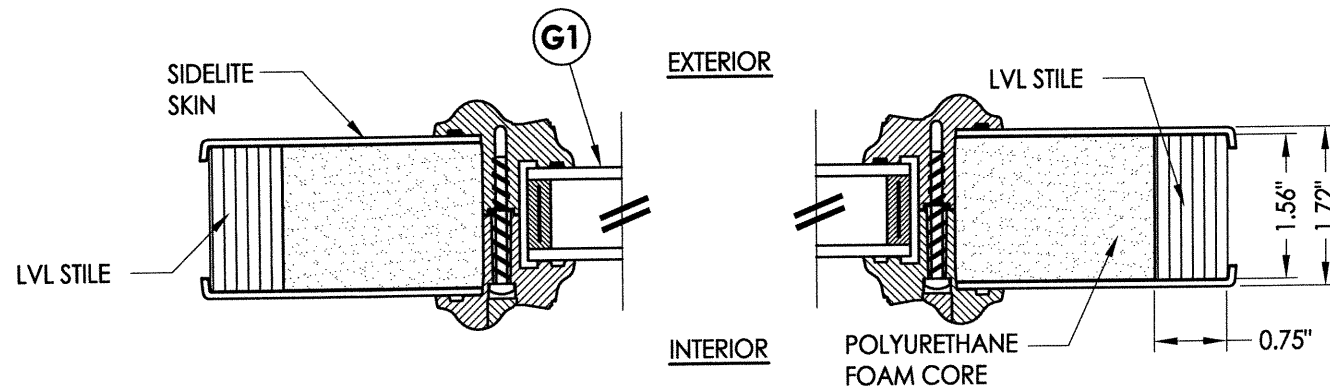
R:\Clients\Trinity PERMANENT\Florida Product Approvals\FL-15129\Drawings\Current\FL-15129.13-20.dwg, 3.19



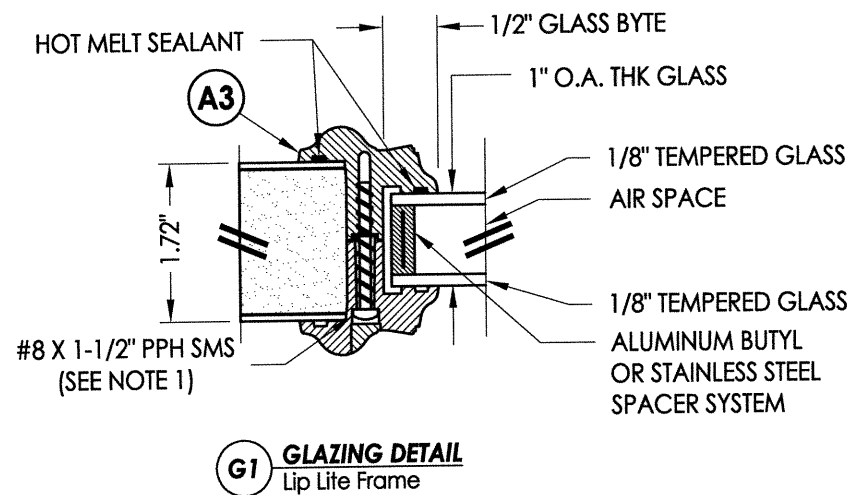
41 FIBERGLASS SIDELITE
"NON-IMPACT"

NOTE:
1. Spacing for lite frame screw is as follows:
Top and Bottom: 2" from each corner (2 total)
Sides: 2" from each corner and equally spaced thereafter (8 total)

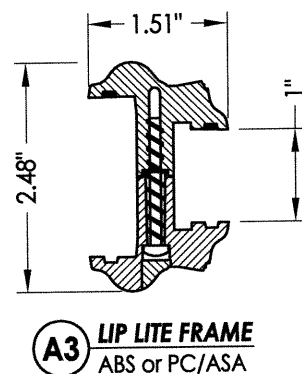
DOOR SKIN: 0.079" MIN. THK. FIBERGLASS
CORE MATERIAL: POLYURETHANE FOAM



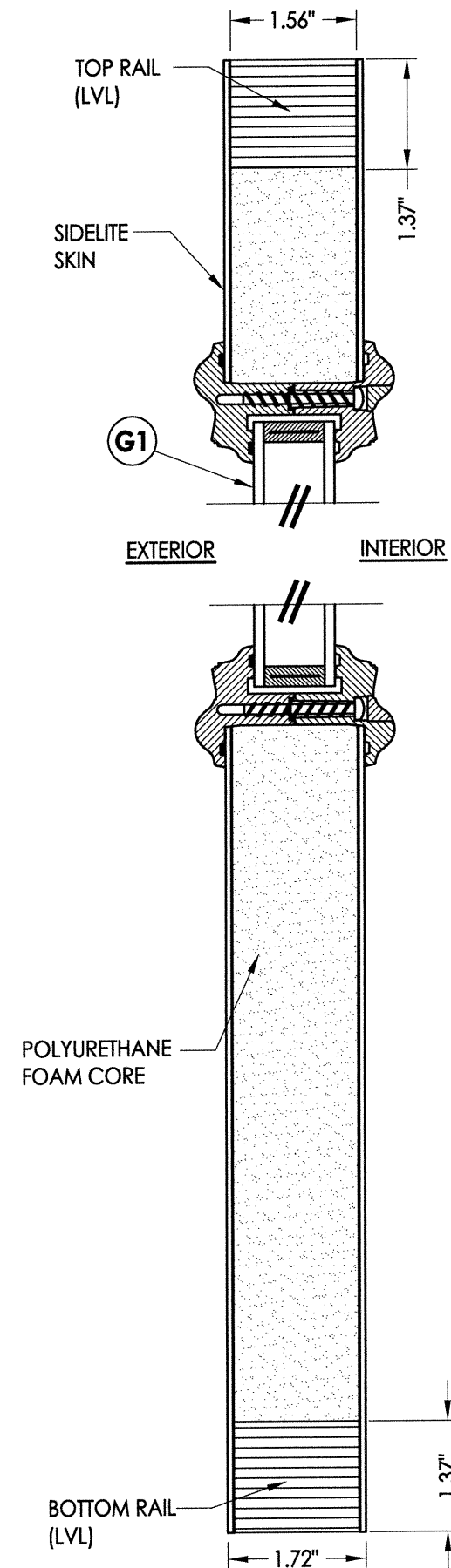
1 HORIZONTAL CROSS SECTION



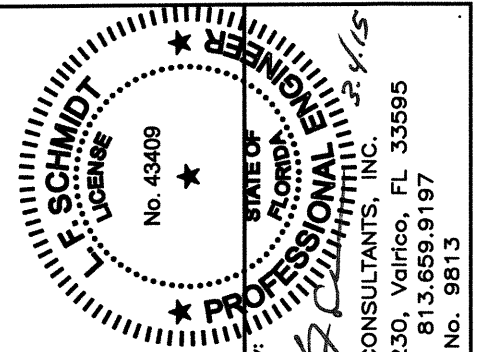
G1 GLAZING DETAIL
Lip Lite Frame



A3 LIP LITE FRAME
ABS or PC/ASA

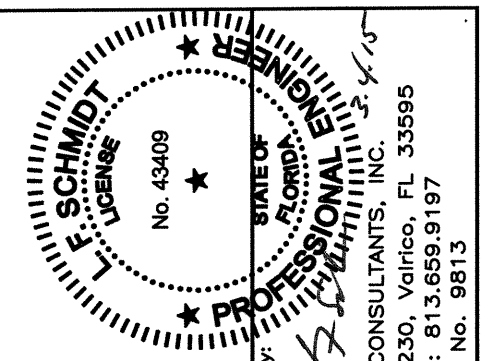
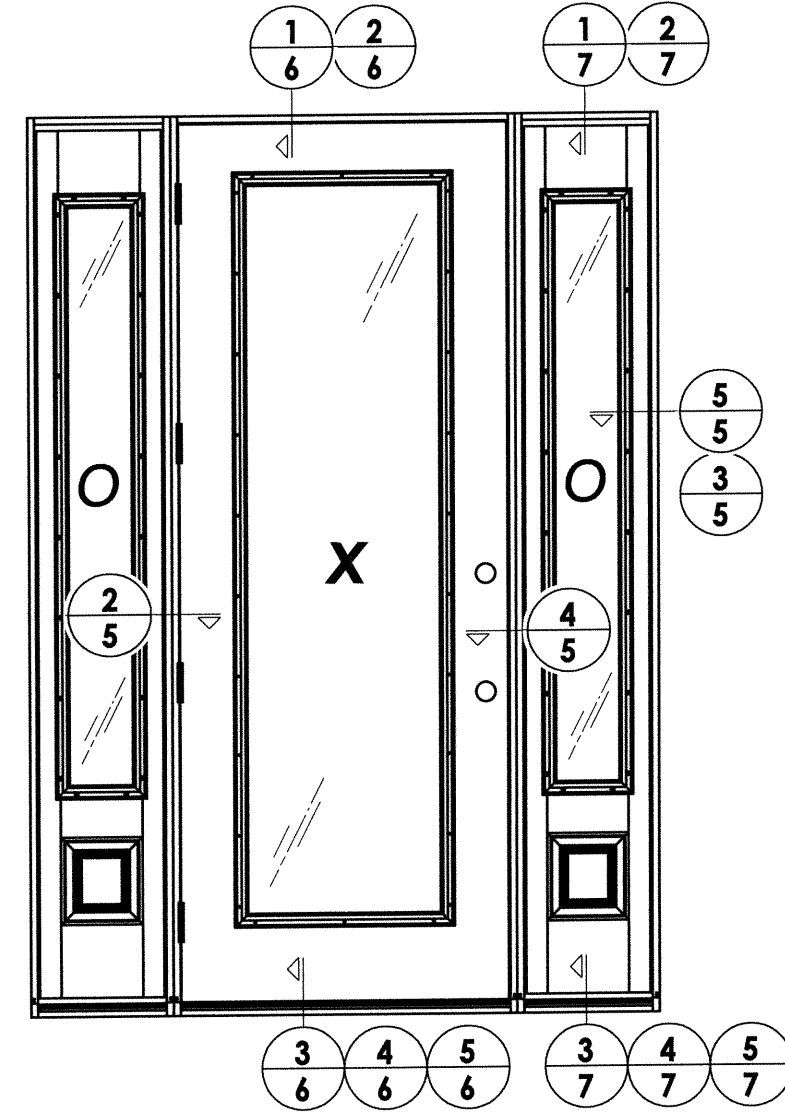
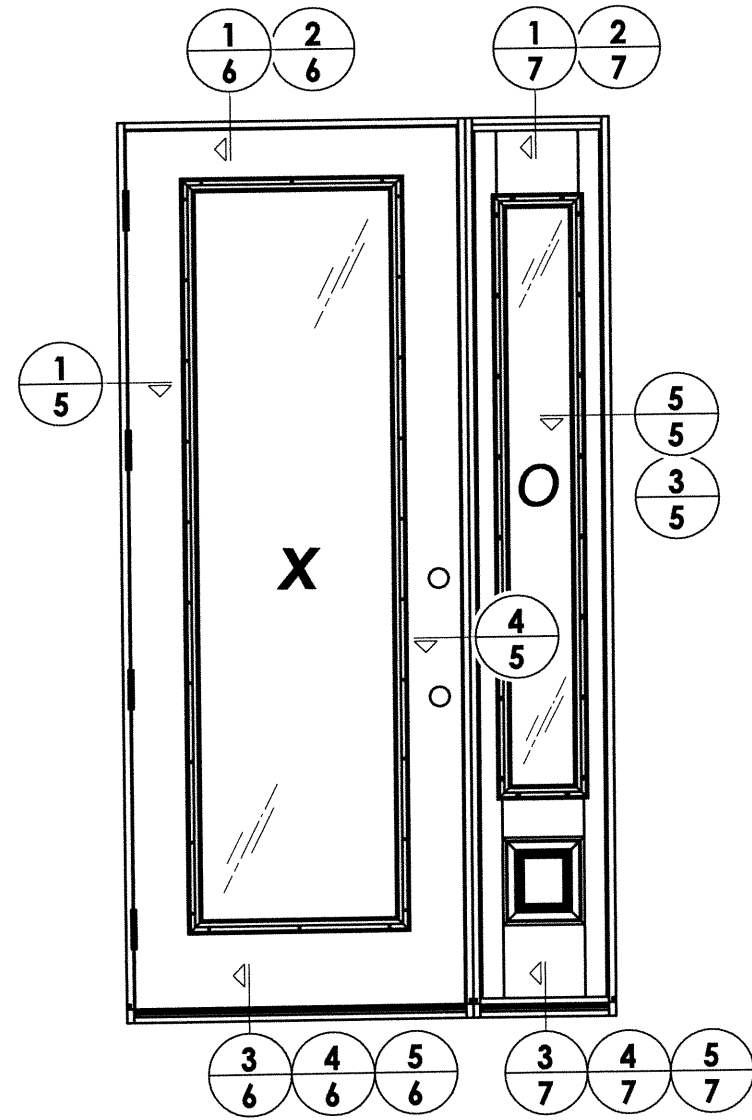


2 VERTICAL CROSS SECTION



Documents Prepared By:
Lyndon F. Schmidt
P.E. No. 43409
RW
BUILDING CONSULTANTS, INC.
P.O. Box 230, Valrico, FL 33595
Phone No.: 813.659.9197
FBPE C.A. No. 9813

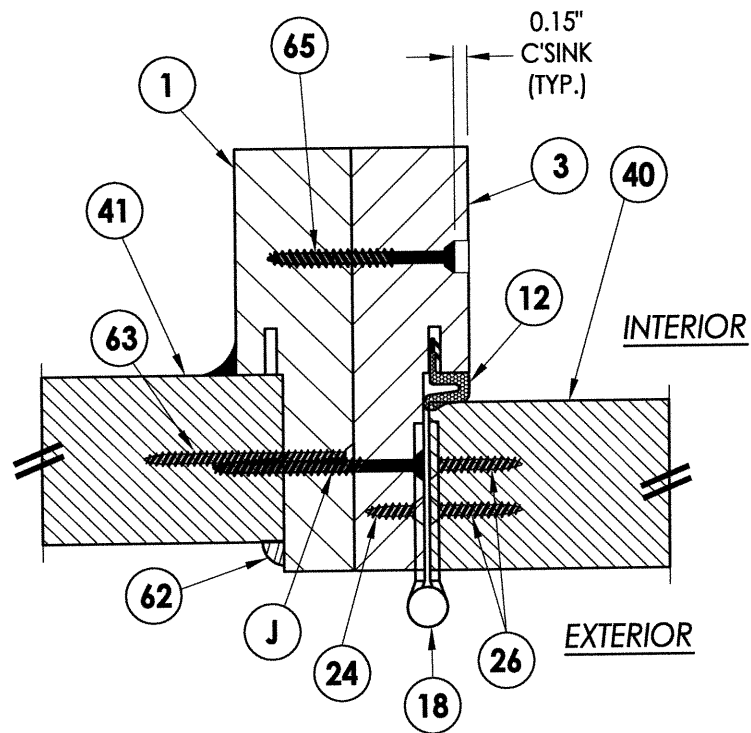
PRODUCT:	TRINITY GLASS INT'L	
PART OR ASSEMBLY:	SIDELITE PANEL DETAILS	
NO.	DATE	BY
1	03/02/15	JK
UPDATE TO 5TH ED. (2014) FBC		
REVISIONS		
DATE:	1/18/12	
SCALE:	N.T.S.	
DWG. BY:	JK	
CHK. BY:	LFS	
DRAWING NO.:	FL-15129.19	
SHEET	3 OF 11	



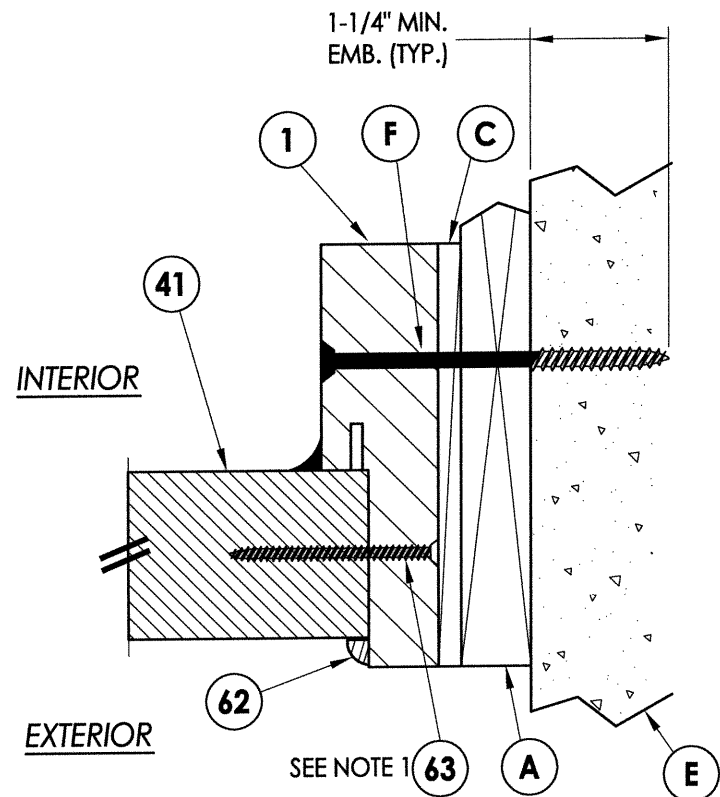
Documents Prepared By:
 Lyndon F. Schmidt
 P.E. No. 43409
 R.W.
 BUILDING CONSULTANTS, INC.
 P.O. Box 230, Vairico, FL 33595
 Phone No.: 813.659.9197
 FBPE C.A. No. 9813

PRODUCT:		TRINITY GLASS INT'L	
PART OR ASSEMBLY:		ELEVATIONS	
NO.	DATE	BY	REVISIONS
1	03/02/15	JK	UPDATE TO 5TH ED. (2014) FBC
DATE: 1/18/12			
SCALE: N.T.S.			
DWG. BY: JK			
CHK. BY: LFS			
DRAWING NO.: FL-15129.19			
SHEET 4 OF 11			

R:\Clients\Trinity PERMANENT\Florida Product Approvals\FL-15129\Drawings\Current\FL-15129.13-20.dwg, 5.19

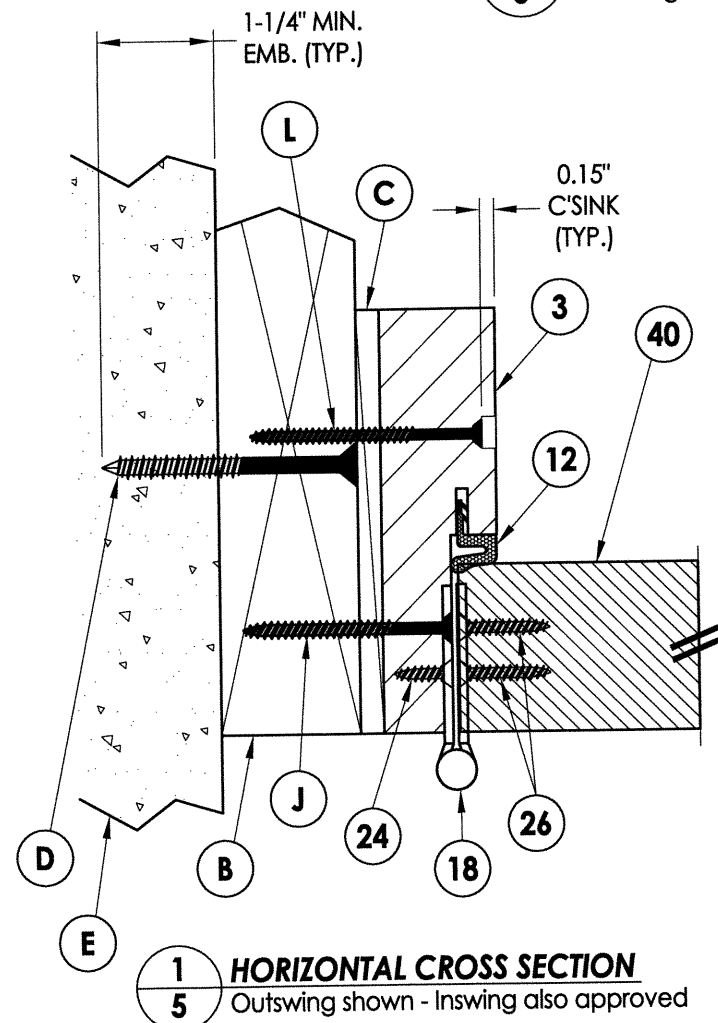


2 HORIZONTAL CROSS SECTION
5 Outswing shown - Inswing also approved

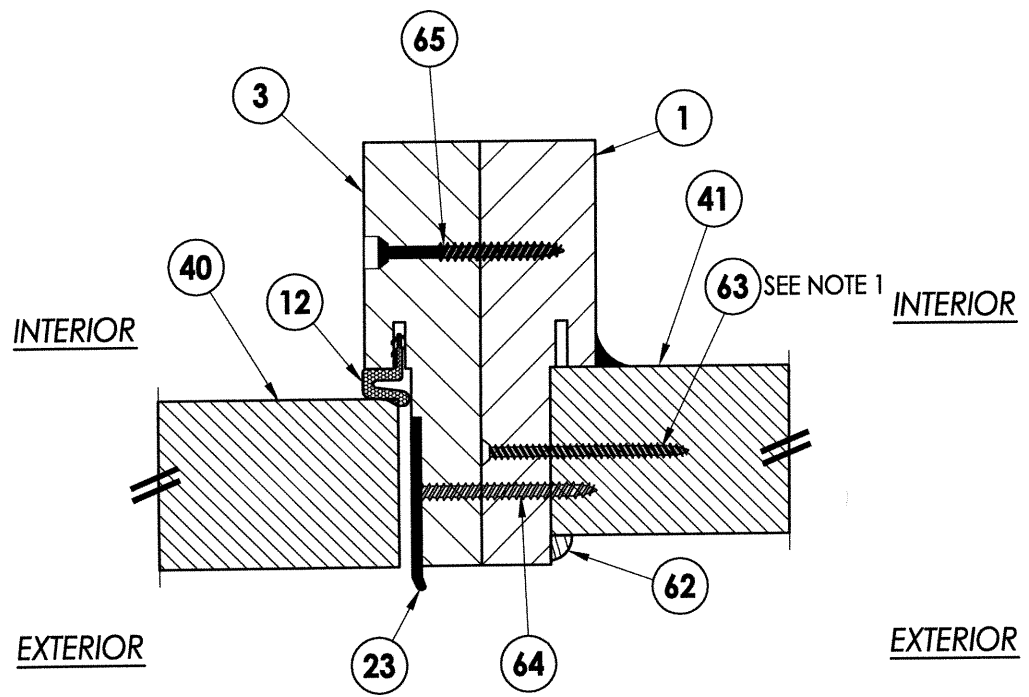


3 HORIZONTAL CROSS SECTION
5 Shown w/1X sub-buck

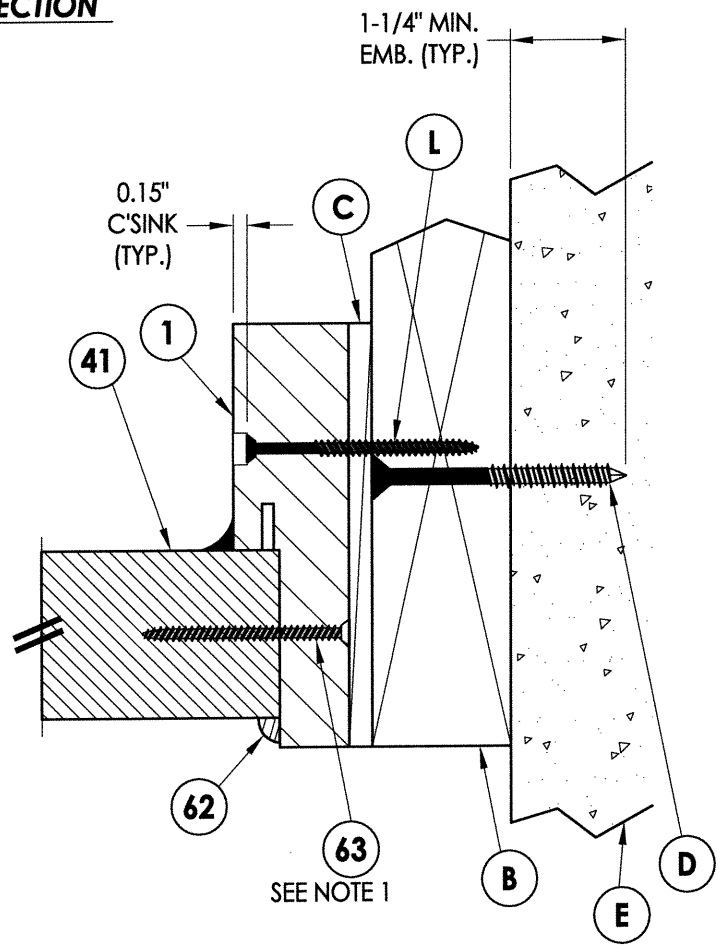
NOTE:
 1. Item #63 - #8 x 2-1/4" PFH screws thru jamb into sidelite located @ 6", 27", 50-1/4", & 72-1/8" from top of frame typ. both side jambs.



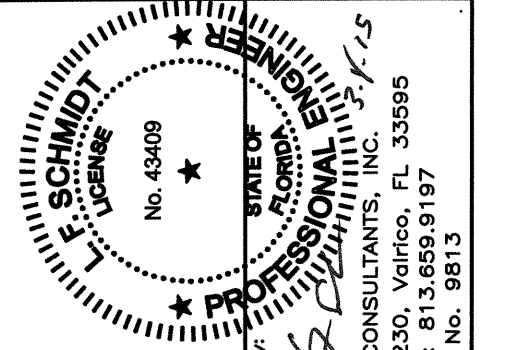
1 HORIZONTAL CROSS SECTION
5 Outswing shown - Inswing also approved



4 HORIZONTAL CROSS SECTION
5 Outswing shown - Inswing also approved



5 HORIZONTAL CROSS SECTION
5 Outswing shown - Inswing also approved

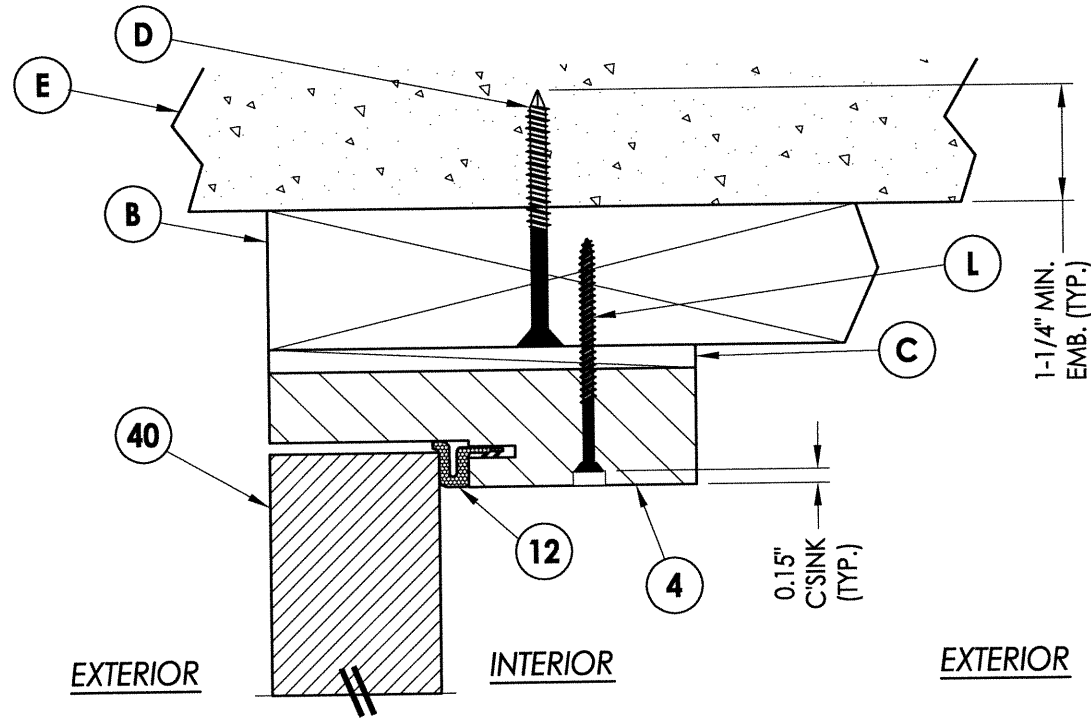


Documents Prepared By:
 Lyndon F. Schmidt
 P.E. No. 43409
 R.W. BUILDING CONSULTANTS, INC.
 P.O. Box 230, Valrico, FL 33595
 Phone No.: 813.659.9197
 FBPE C.A. No. 9813

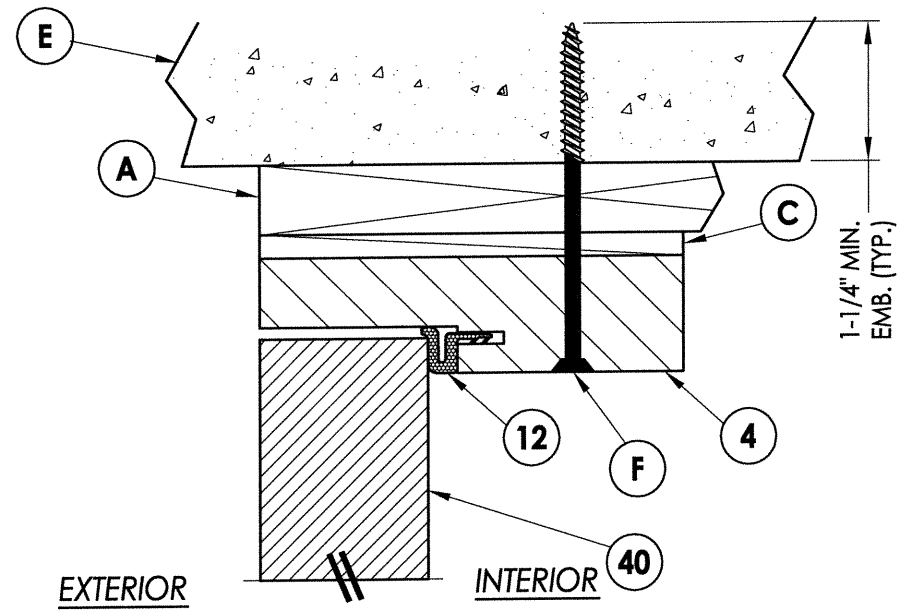
PRODUCT: TRINITY GLASS INT'L	
PART OR ASSEMBLY: HORIZONTAL CROSS SECTIONS	
DATE: 1/18/12	SCALE: N.T.S.
DWG. BY: JK	CHK. BY: LFS
DRAWING NO.: FL-15129.19	SHEET 5 OF 11
NO. 1	DATE
JK	BY
UPDATE TO 5TH ED. (2014) FBC	REVISIONS

© 2012 R.W. BUILDING CONSULTANTS INC.

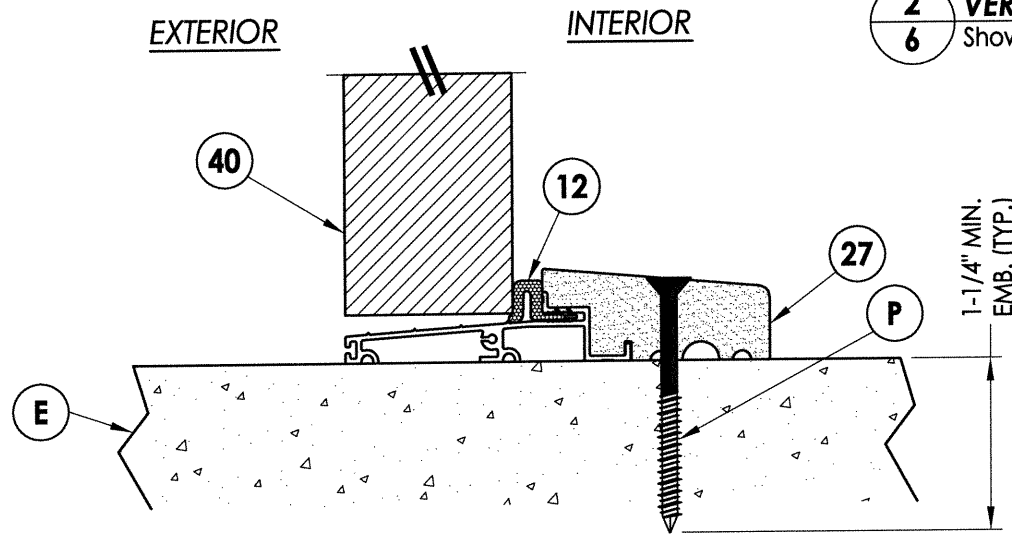
R:\Clients\Trinity PERMANENT\Florida Product Approvals\FL-15129\Drawings\Current\FL-15129.13-20.dwg, 6.19



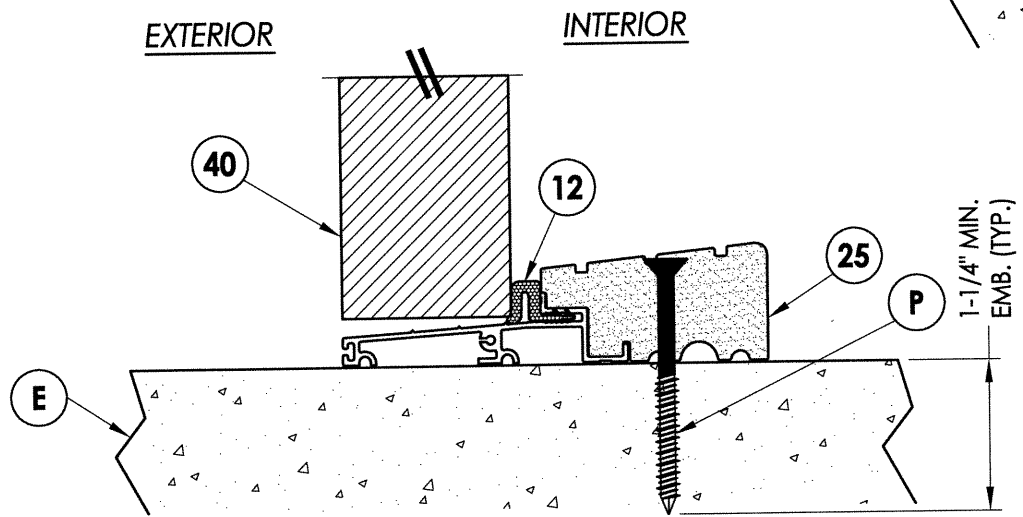
1 VERTICAL CROSS SECTION
6 Outswing shown
 Inswing also approved



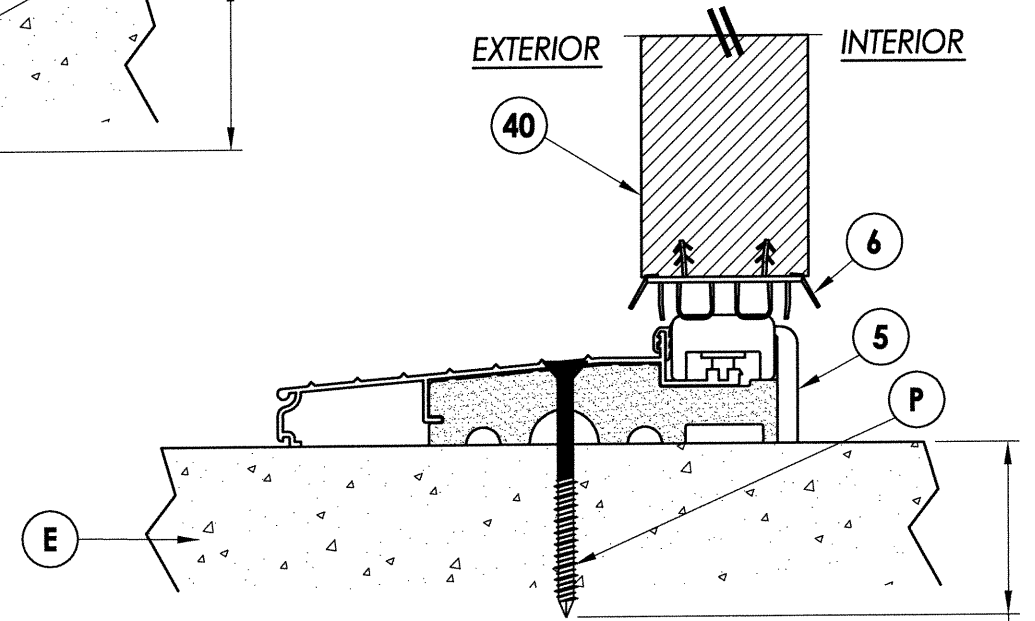
2 VERTICAL CROSS SECTION
6 Shown w/1X sub-buck



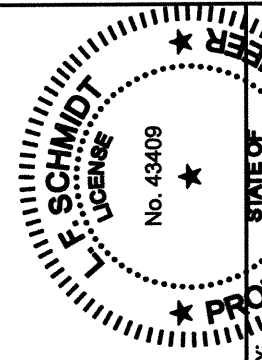
4 VERTICAL CROSS SECTION
6 Outswing sill



3 VERTICAL CROSS SECTION
6 Outswing sill - high dam



5 VERTICAL CROSS SECTION
6 Inswing sill

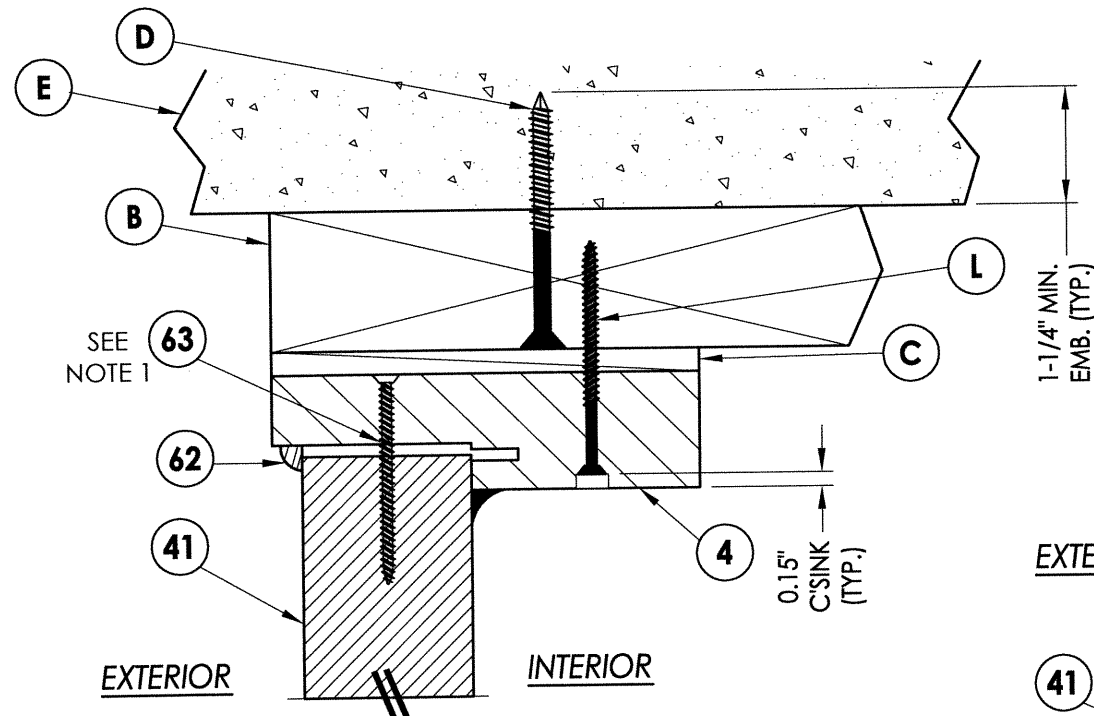


Documents Prepared By:
 Lyndon F. Schmidt
 P.E. No. 43409
 R.W. BUILDING CONSULTANTS, INC.
 P.O. Box 230, Valrico, FL 33595
 Phone No.: 813.659.9197
 FBPE C.A. No. 9813

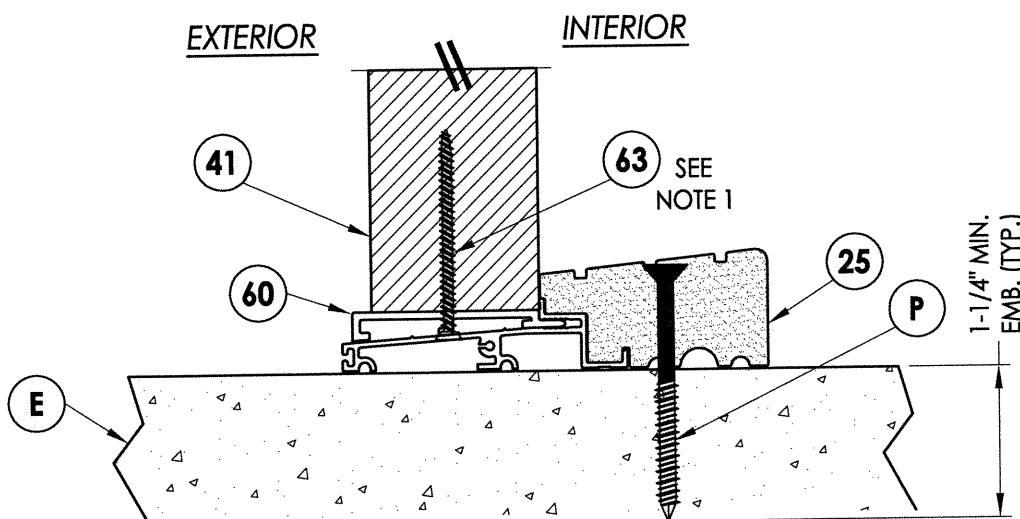
PRODUCT: TRINITY GLASS INT'L
 PART OR ASSEMBLY: VERTICAL CROSS SECTIONS

NO.	DATE	BY
1	03/02/15	JK

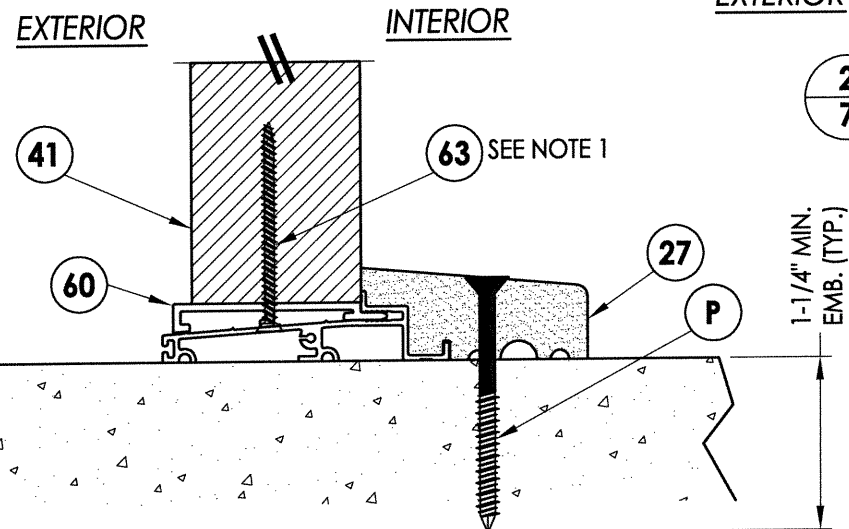
DATE: 1/18/12
 SCALE: N.T.S.
 DWG. BY: JK
 CHK. BY: LFS
 DRAWING NO.: FL-15129.19
 SHEET 6 OF 11



1
7 VERTICAL CROSS SECTION

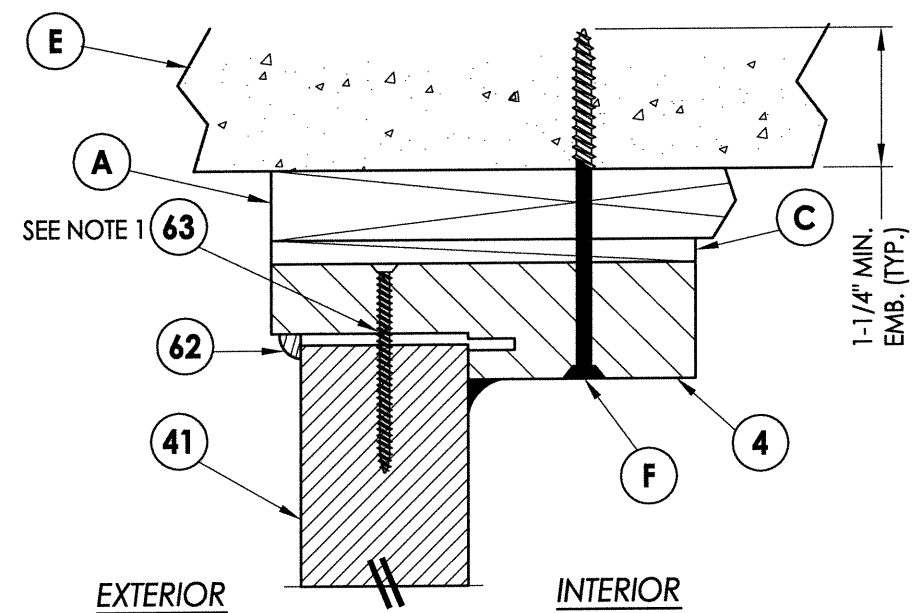


3
7 VERTICAL CROSS SECTION
Outswing sill - high dam

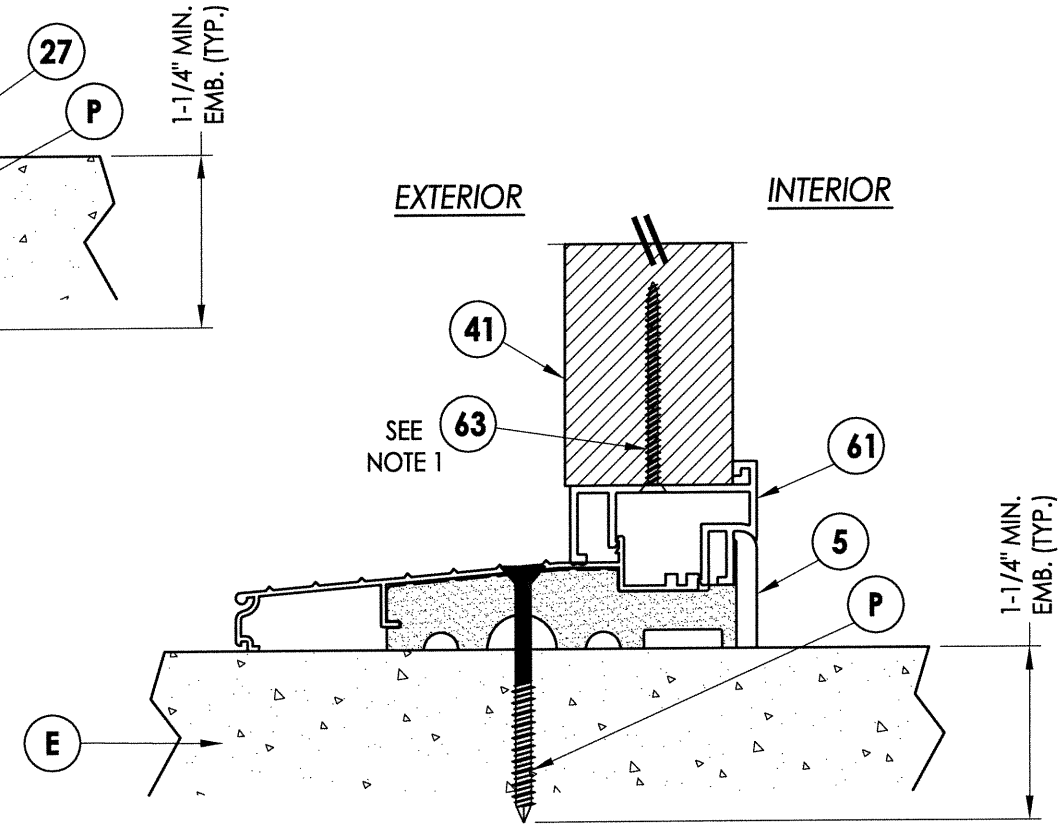


4
7 VERTICAL CROSS SECTION
Outswing sill

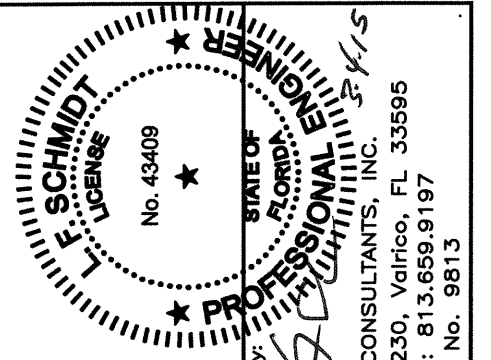
NOTE:
1. Screws thru head and sill jamb located 3" from each end and O.C. (TYP.) line.



2
7 VERTICAL CROSS SECTION
Shown w/1X sub-buck



5
7 VERTICAL CROSS SECTION
Inswing sill

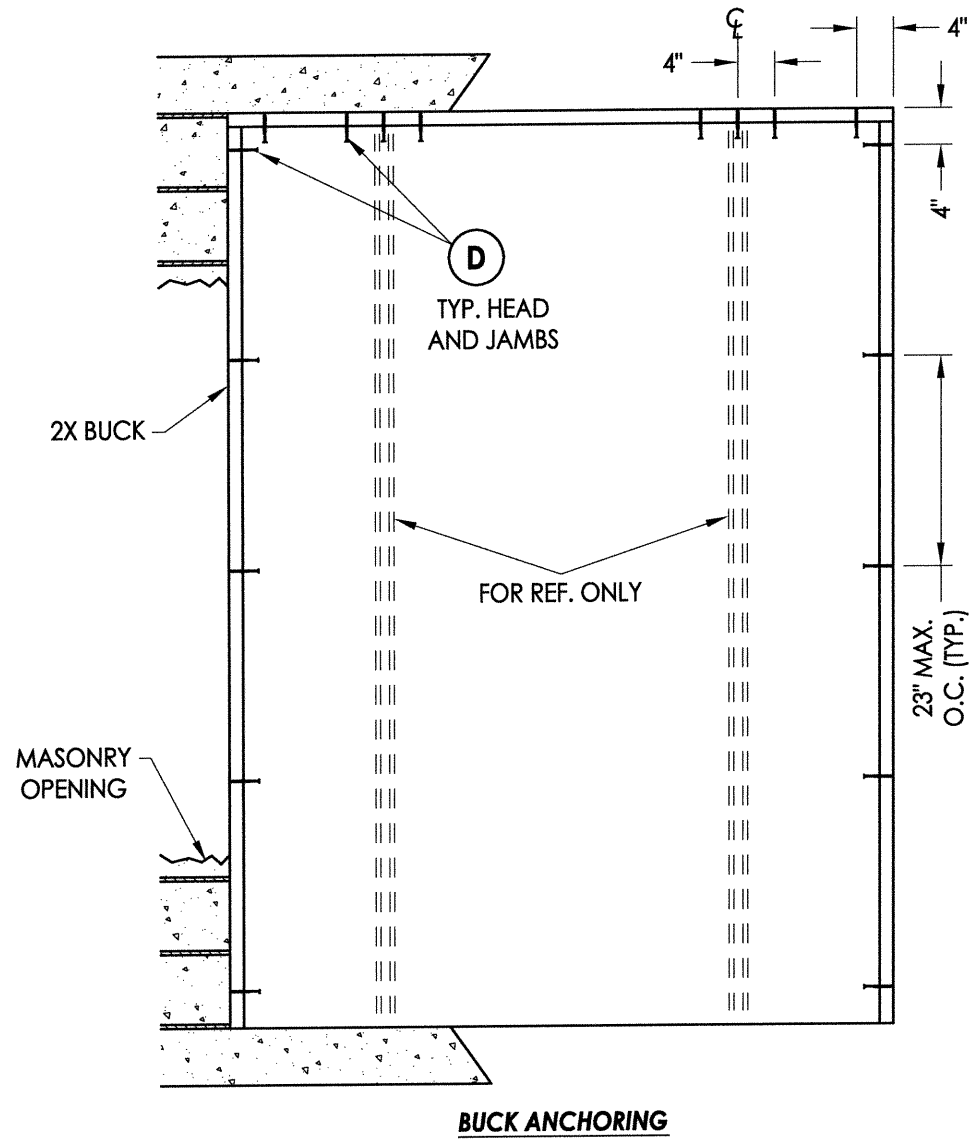
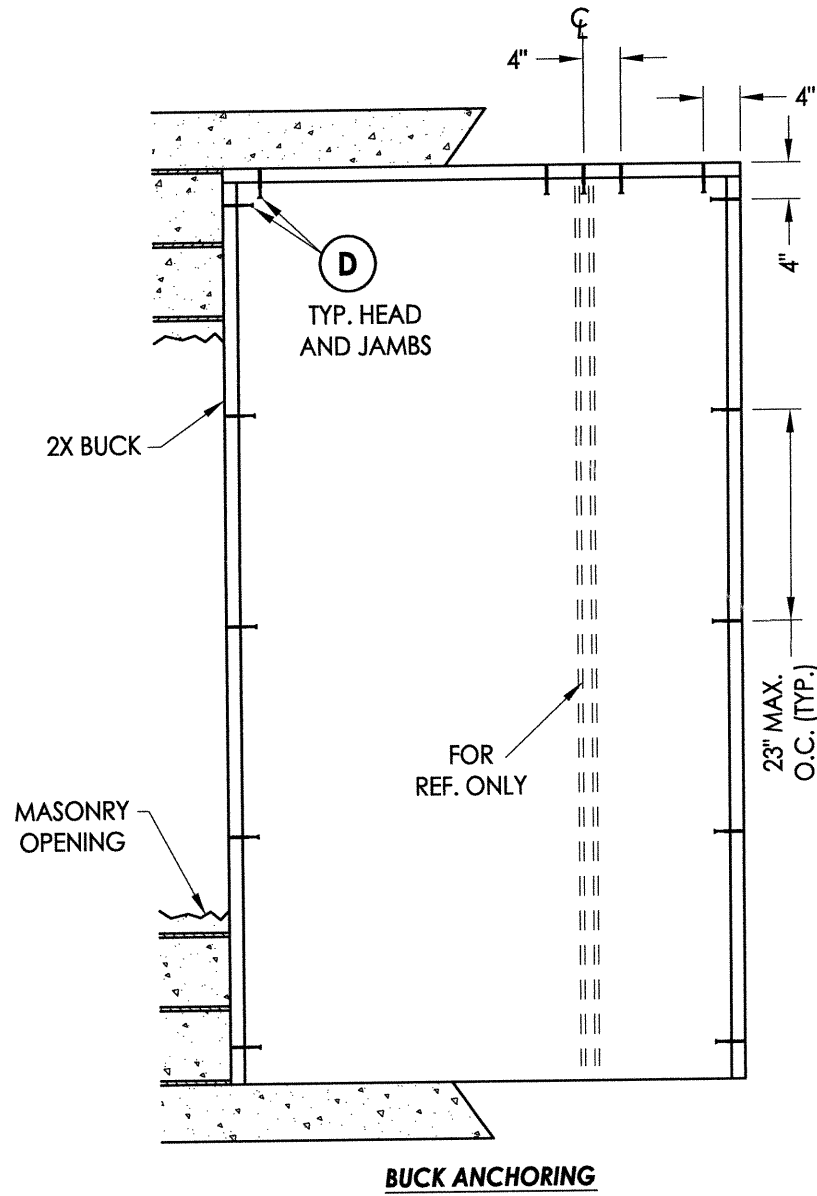


Documents Prepared By:
Lyndon F. Schmidt
P.E. No. 43409
R.W. BUILDING CONSULTANTS, INC.
P.O. Box 230, Valrico, FL 33595
Phone No.: 813.659.9197
FBPE C.A. No. 9813

PRODUCT: TRINITY GLASS INT'L
PART OR ASSEMBLY: VERTICAL CROSS SECTIONS

REVISIONS	
NO.	DATE
1	03/02/15
	JK
	FBC

DATE: 1/18/12
SCALE: N.T.S.
DWG. BY: JK
CHK. BY: LFS
DRAWING NO.: FL-15129.19
SHEET 7 OF 11



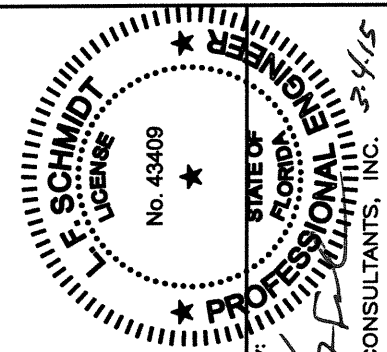
CONCRETE ANCHOR NOTES:

- Concrete anchor locations at the corners may be adjusted to maintain the min. edge distance to mortar joints.
- Concrete anchor locations noted as "MAX. ON CENTER" must be adjusted to maintain the min. edge distance to mortar joints, additional concrete anchors may be required to ensure the "MAX. ON CENTER" dimension are not exceeded.
- Concrete anchor table:

ANCHOR TYPE	ANCHOR SIZE	MIN. EMBEDMENT	MIN. CLEARANCE TO MASONRY EDGE	MIN. CLEARANCE TO ADJACENT ANCHOR
ITW BUILDEX TAPCON®	1/4"	1-1/4"	2"	4"
ELCO ULTRACON®	1/4"	1-1/4"	1"	4"

WOOD SCREW INSTALLATION NOTES:

- Maintain a minimum 5/8" edge distance, 1" end distance, & 1" o.c. spacing of wood screws to prevent the splitting of wood.



Documents Prepared By:
Lyndon F. Schmidt
P.E. No. 43409

R.W.
BUILDING CONSULTANTS, INC.
P.O. Box 230, Valrico, FL 33595
Phone No.: 813.659.9197
FBPE C.A. No. 9813

PRODUCT: TRINITY GLASS INT'L

PART OR ASSEMBLY:
BUCK ANCHORING

NO.	DATE	REVISIONS
1	03/02/15	UPDATE TO 5TH ED. (2014) FBC

DATE: 1/18/12

SCALE: N.T.S.

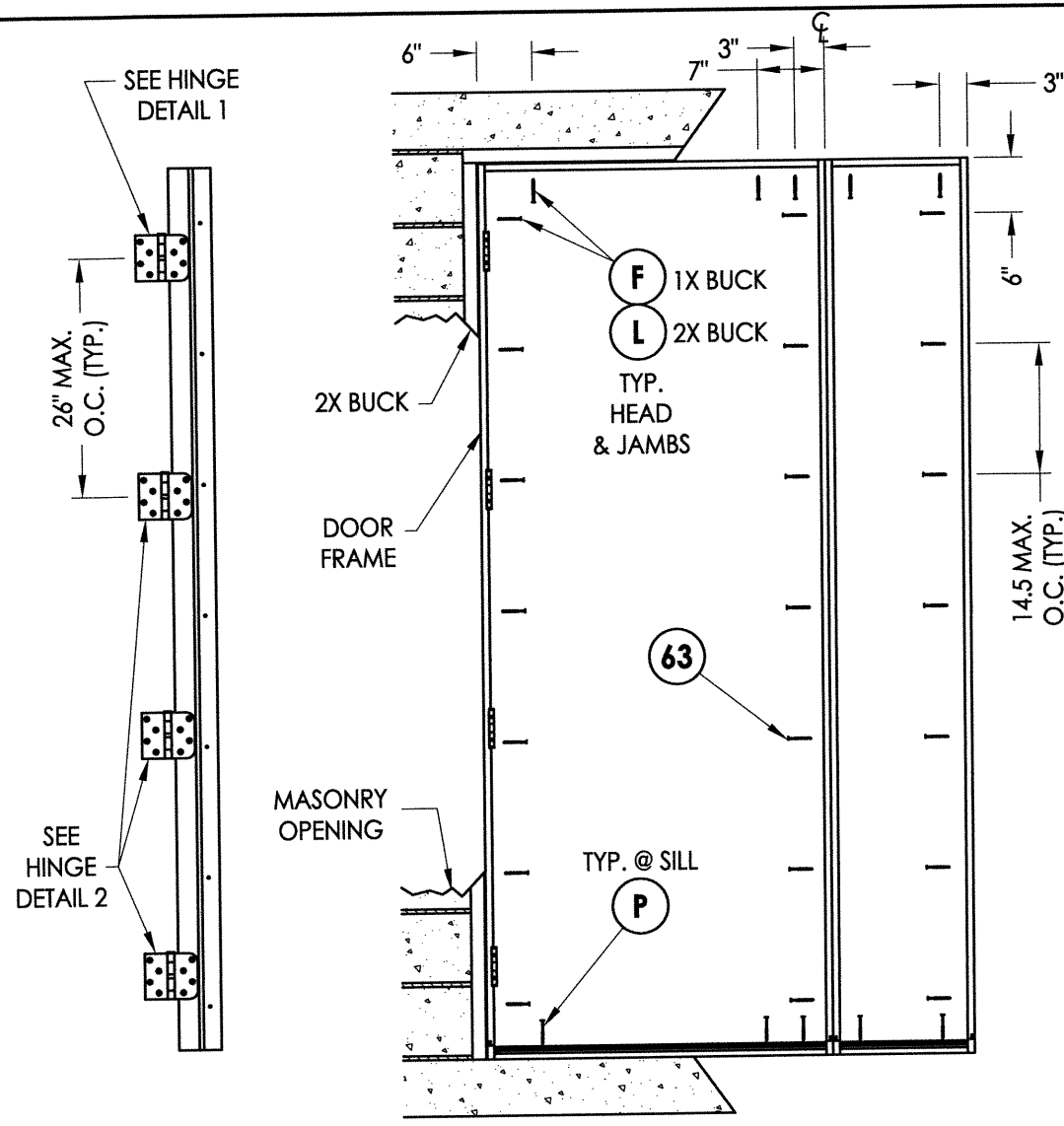
DWG. BY: JK

CHK. BY: LFS

DRAWING NO.:

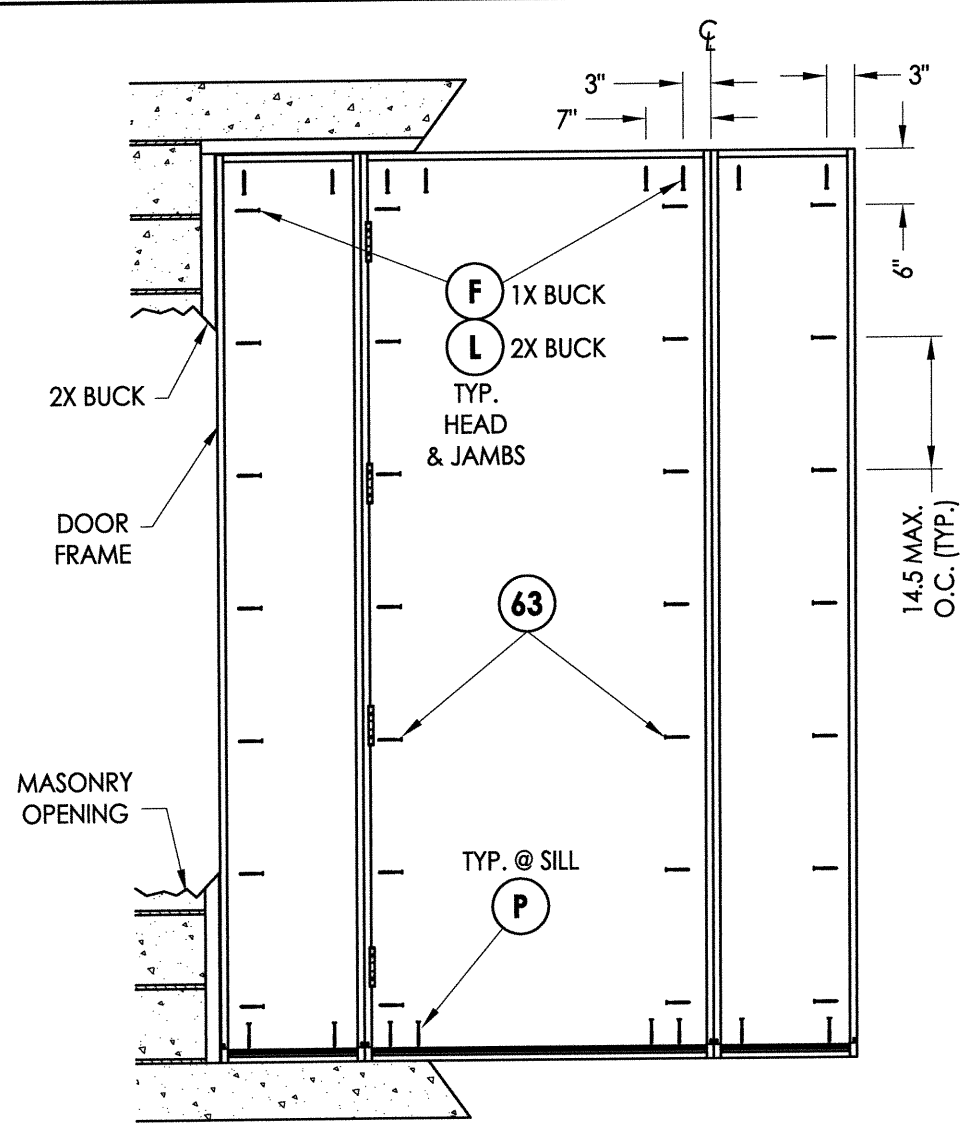
FL-15129.19

SHEET 8 OF 11



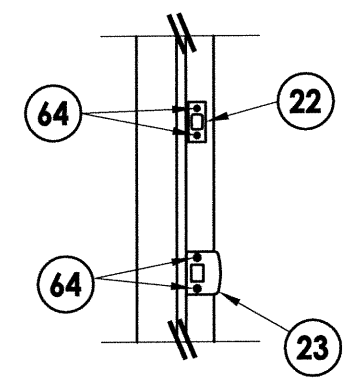
HINGE JAMB

FRAME ANCHORING
Masonry construction

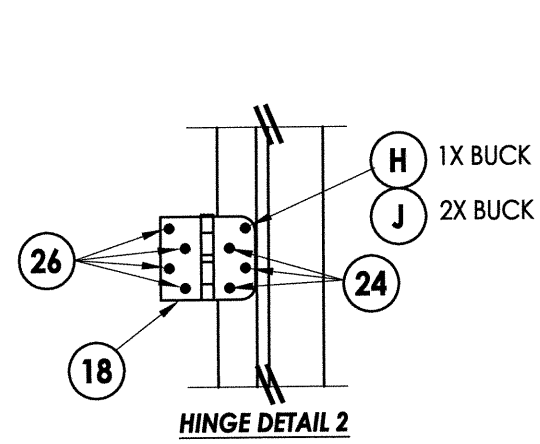


FRAME ANCHORING
Masonry construction

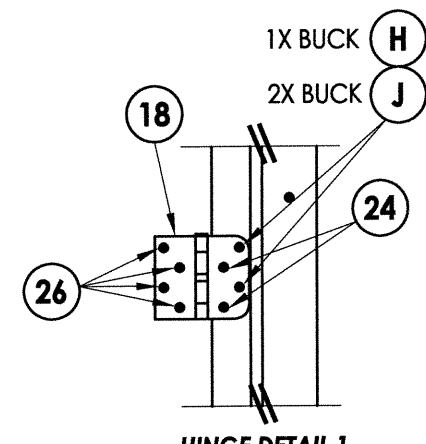
STRIKE JAMB



STRIKE PLATE DETAIL



HINGE DETAIL 2



HINGE DETAIL 1

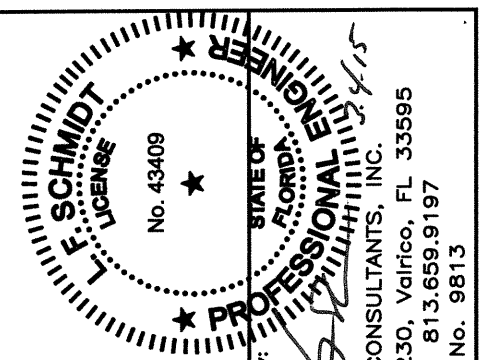
CONCRETE ANCHOR NOTES:

1. Concrete anchor locations at the corners may be adjusted to maintain the min. edge distance to mortar joints.
2. Concrete anchor locations noted as "MAX. ON CENTER" must be adjusted to maintain the min. edge distance to mortar joints, additional concrete anchors may be required to ensure the "MAX. ON CENTER" dimension are not exceeded.
3. Concrete anchor table:

ANCHOR TYPE	ANCHOR SIZE	MIN. EMBEDMENT	MIN. CLEARANCE TO MASONRY EDGE	MIN. CLEARANCE TO ADJACENT ANCHOR
ITW BUILDEX TAPCON®	3/16"	1-1/4"	3"	1-1/2"
	1/4"	1-1/4"	2"	4"
ELCO ULTRACON®	1/4"	1-1/4"	1"	4"

WOOD SCREW INSTALLATION NOTES:

1. Maintain a minimum 5/8" edge distance, 1" end distance, & 1" o.c. spacing of wood screws to prevent the splitting of wood.



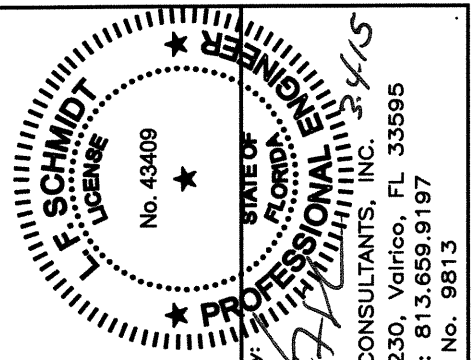
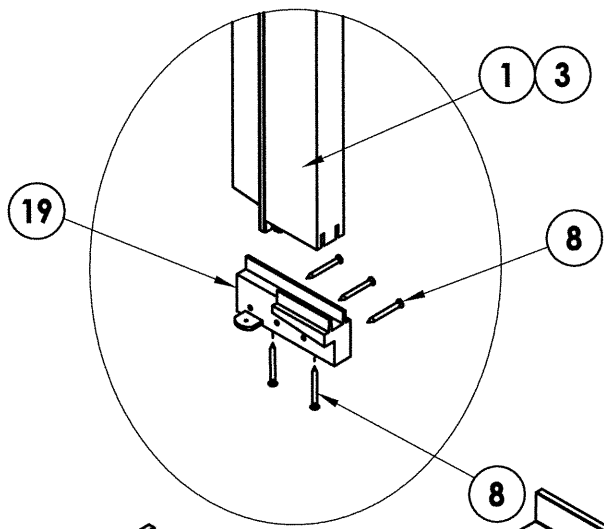
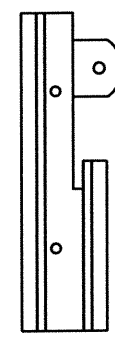
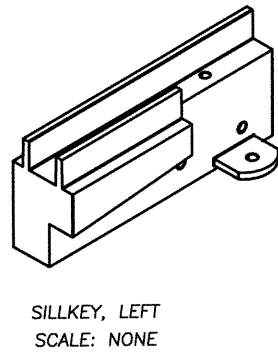
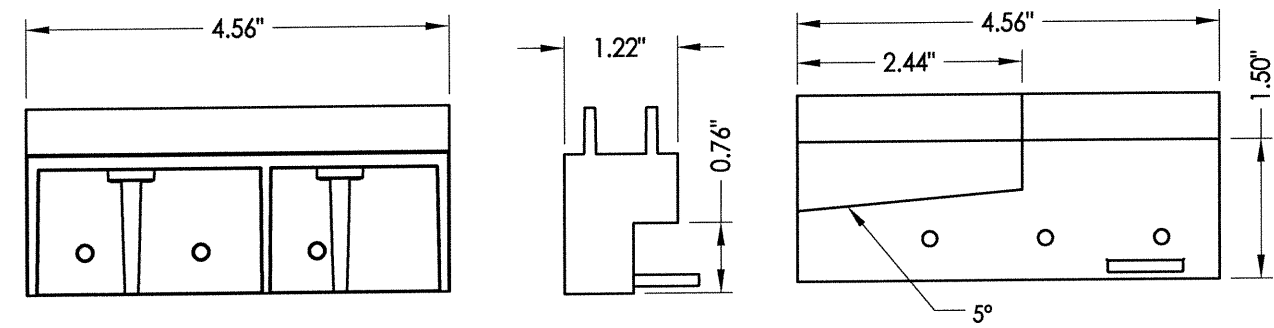
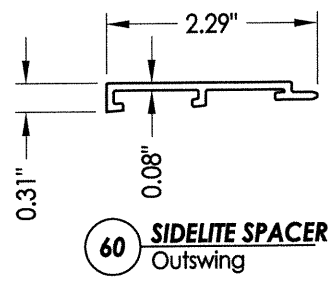
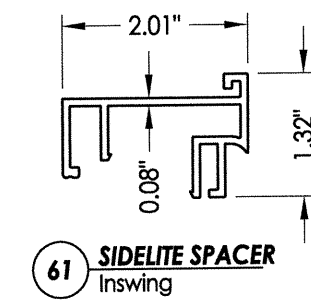
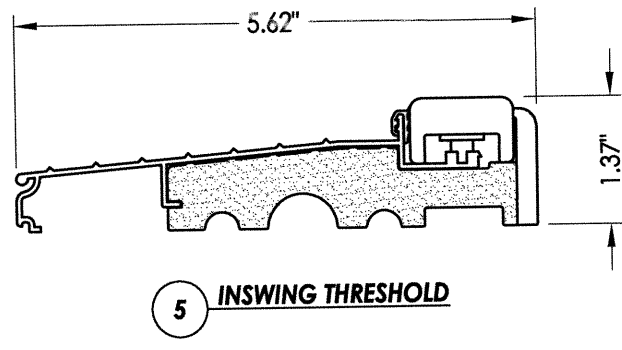
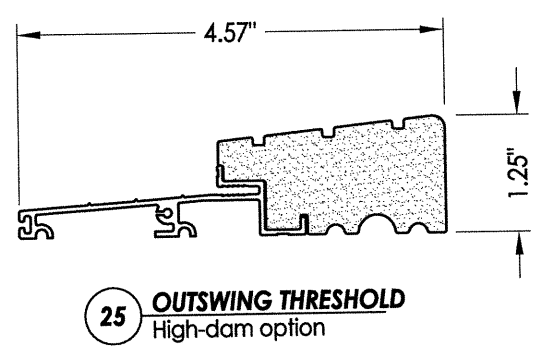
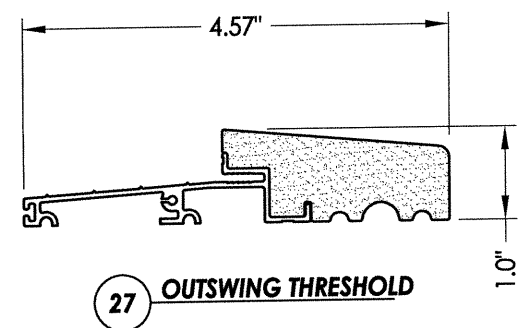
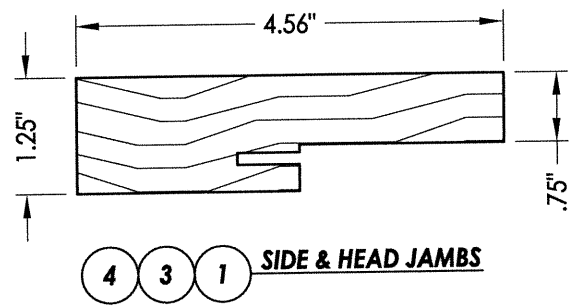
Documents Prepared By:
Lyndon F. Schmidt
P.E. No. 43409

R.W. BUILDING CONSULTANTS, INC.
P.O. Box 230, Vairico, FL 33595
Phone No.: 813.659.9197
FBPE C.A. No. 9813

PRODUCT: TRINITY GLASS INT'L
PART OR ASSEMBLY: FRAME ANCHORING

NO.	DATE	BY	REVISIONS
1	03/02/15	JK	UPDATE TO 5TH ED. (2014) FBC

DATE: 1/18/12
SCALE: N.T.S.
DWG. BY: JK
CHK. BY: LFS
DRAWING NO.: FL-15129.19
SHEET 9 OF 11



Documents Prepared By: *RW*
 Lyndon F. Schmidt
 P.E. No. 43409
 BUILDING CONSULTANTS, INC.
 P.O. Box 230, Valrico, FL 33595
 Phone No.: 813.659.9197
 FBPE C.A. No. 9813

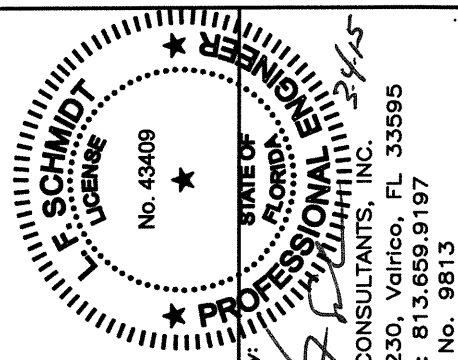
PRODUCT:	TRINITY GLASS INT'L
PART OR ASSEMBLY:	COMPONENTS

NO.	DATE	REVISIONS	BY
1	10/03/02/15	UPDATE TO 5TH ED. (2014) FBC	JK

DATE:	1/18/12
SCALE:	N.T.S.
DWG. BY:	JK
CHK. BY:	LFS
DRAWING NO.:	FL-15129.19
SHEET	10 OF 11

R:\Clients\Trinity PERMANENT\Florida Product Approvals\FL-15129\Drawings\Current\FL-15129.13-20.dwg, 11.19

BILL OF MATERIALS		
ITEM #	DESCRIPTION	MATERIAL
A	1X BUCK SG >= 0.55	WOOD
B	2X BUCK SG >= 0.55	WOOD
C	1/4" MAX. SHIM SPACE	-
D	1/4" X 2-3/4" PFH ELCO OR ITW CONCRETE SCREW	STEEL
E	MASONRY - 3,000 PSI MIN. CONCRETE CONFORMING TO ACI 301 OR HOLLOW BLOCK CONFORMING TO ASTM C90	CONCRETE
F	1/4" X 3-3/4" ITW PFH CONCRETE SCREW	STEEL
H	3/16" X 3-1/4" ITW PFH CONCRETE SCREW	STEEL
J	#9 X 2-1/4" PFH WS	STEEL
L	#8 X 2-1/2" PFH WS	STEEL
P	1/4" X 2-3/4" ITW PFH CONCRETE SCREW	STEEL
1	STRIKE JAMB - FINGER-JOINT PINE - SG >= 0.42	WOOD
3	HINGE JAMB - FINGER-JOINT PINE - SG >= 0.42	WOOD
4	HEAD - FINGER-JOINT PINE - SG >= 0.42	WOOD
5	INSWING THRESHOLD ALUMINUM W/ COMPOSITE SUBSTRATE	ALUMINUM
6	DOOR BOTTOM SWEEP	PVC
8	#6 X 1-1/4" PFH DRYWALL SCREW	STEEL
12	WEATHER STRIP QEBD650 Q-LON	-
18	3.983" X 4.0" HINGE MIN 0.098" THICK	STEEL
19	SILLKEY	PC/ASA
22	DEADBOLT STRIKE PLATE	STEEL
23	LATCH STRIKE PLATE	STEEL
24	#9 X 5/8" PFH WS	STEEL
25	OUTSWING HIGH-DAM THRESHOLD ALUMINUM W/ COMPOSITE SUBSTRATE	ALUM./ COMP.
26	#9 X 1.0" PFH WS	STEEL
27	OUTSWING THRESHOLD ALUMINUM W/ COMPOSITE SUBSTRATE	ALUM./ COMP.
40	DOOR PANEL - SEE DOOR PANEL DETAIL SHEET FOR CONSTRUCTION DETAILS	-
41	SIDELITE PANEL - SEE SIDELITE PANEL DETAIL SHEET FOR CONSTRUCTION DETAILS	-
60	SIDELITE SPACER - OUTSWING	PVC
61	SIDELITE SPACER - INSWING	PVC
62	QUARTER ROUND	WOOD
63	#8 X 2-1/4" PFH WOOD SCREW	STEEL
64	#8 X 2" PFH WOOD SCREW	STEEL



Documents Prepared By:
 Lyndon F. Schmidt
 P.E. No. 43409
 R.W.
 BUILDING CONSULTANTS, INC.
 P.O. Box 230, Valrico, FL 33595
 Phone No.: 813.659.9197
 FBPE C.A. No. 9813

PRODUCT: TRINITY GLASS INT'L
 PART OR ASSEMBLY: BILL OF MATERIALS

NO.	DATE	BY	REVISIONS
1	03/02/15	JK	UPDATE TO 5TH ED. (2014) FBC

DATE: 1/18/12
 SCALE: N.T.S.
 DWG. BY: JK
 CHK. BY: LFS
 DRAWING NO.: FL-15129.19
 SHEET 11 OF 11